
Fagron Airless Pump Instructions

This Airless pouch dispenser is a complete system made of a soft pouch, delivered inside a rigid bottle, combined with a metering pump or actuator.

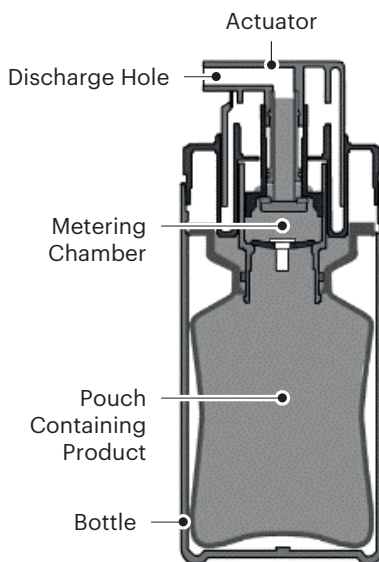
Your airless pump will have a colour coded sticker and individual dosage instructions labelled to the bottle.

Every time the system is primed, a dose is expelled, the pouch collapses. There is no air intake, no venting hole at the bottom of the bottle. Hence, integrity of formula is protected.

Once a dose is expelled, the next one fills the metering chamber and therefore ensures a precise and repeatable dosage.

Directions:

1. Remove the cap.
2. Always prime the actuator before use for accurate dosing:
 - a. Push the actuator down gently until cream is visible at the tip of the discharge hole.
 - b. Do not push the actuator down completely when priming.
3. Push the actuator down completely to release the measured dose.
 - a. The product contained in the metering chamber is expelled.
4. Release the actuator.
 - a. The product contained in the soft pouch is sucked up and fills the metering chamber.



Assistance: Please contact your pharmacist should you encounter any difficulties using the Airless Pump or if the pump mechanism fails. | **Storage:** Store the bottle between 15 - 25 °C or room temperature and away from direct sunlight. Do not freeze. Keep this medication well away from children. | **Disposal:** Take your empty containers to your dispensing pharmacy for medical disposal.

Fagron Johannesburg
T 011 675 5331
jhb@fagron.co.za

Fagron Cape Town
T 021 933 5545
cpt@fagron.co.za

fagron.co.za

 **Fagron**
personalising
medicine